

WORLD CLASS · EFFICIENCY · RELIABILITY

k|r|s|l

SINGLE STAGE ROTARY

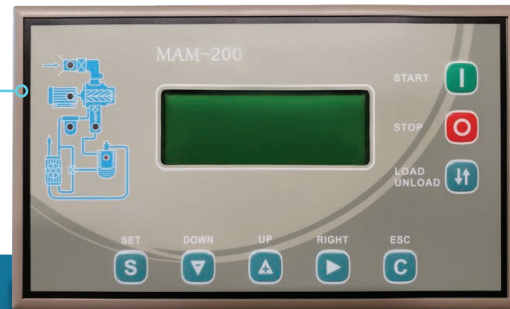


Kaishan Compressor USA

MAM-200 DIGITAL CONTROL PANEL

Monitors & Controls Key Compressor Functions

- Protects compressor in the event of a fault
- Provides service required alert
- Sequencing of up to 16 compressors
- External monitoring via RS 485 interface
- WYE Delta starter standard to reduce in-rush current



INTEGRATED AFTER COOLER & COOLING FANS

Increased Cooling Efficiency

- Efficient cooling for high ambient temperatures
- 14°F (10°C) approach temperature
- Dedicated motor for cooling fan

LARGE CYCLONIC AIR INTAKE FILTRATION

- Minimal pressure drop for increased efficiency
- High level contaminant removal
- Long element life
- Outstanding protection for your investment

316 STAINLESS STEEL CONTROL TUBING

Long Tubing Life / Reduced Downtime

- Increased reliability due to corrosion free material
- Material such as nylon, copper or mild steel will fail in time causing downtime



3 STAGE TANGENTIAL OIL SEPARATION

- Optimized for higher flow and lower pressure
- Minimal pressure drop
- 3 PPM carryover

MODULATING INLET VALVE

Minimum Pressure Drop / Increased Output

- Lower pressure drop through the intake, increasing output and saving energy

HIGH EFFICIENCY ELECTRIC MOTORS

Long Operating Life / Lower Power Use

- TEFC (IP 54) standard, IEC frame
- Class F insulation
- Premium, efficient motors

VARIABLE DISCHARGE PORT

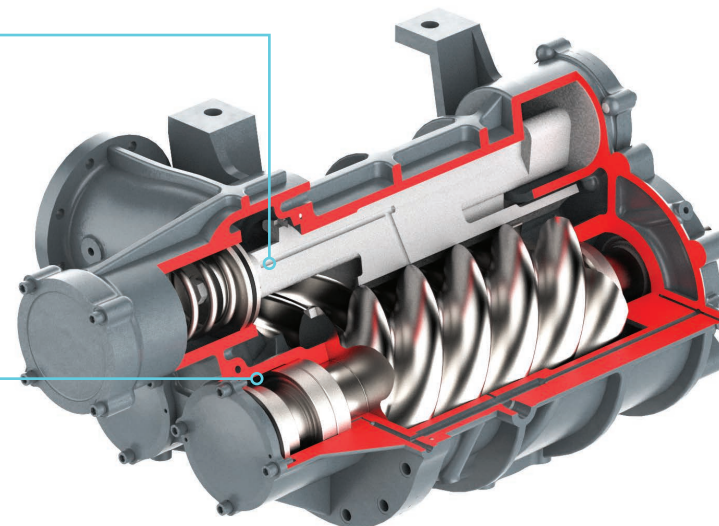
Pressure Flexibility between 25-45 PSIG

- Reliable mechanical design
- Achieves maximum efficiency by adjusting internal compression ratio
- Interchangeable between a variety of applications

PREMIUM DISCHARGE BEARINGS

Longer Bearing Life / Quieter Operation

- The "SKYV" series air ends use SKF bearings to absorb radial and axial loads
- Longer bearing life under all operating conditions
- Increased load carrying capacity



5 YEAR
AIREND
WARRANTY



MADE IN
ALABAMA

The third-largest global compressed air manufacturer in the world has planted roots in Loxley, Alabama. At Kaishan, we are proud of our new North American headquarters home and have invested \$15 million in the construction of a new 65,000 sq ft manufacturing facility.

Kaishan manufactures 85% of the components of the compressor internally, from stamping sheet metal for the enclosures to pouring castings or the air-end in our own foundry. This allows us the ability to provide more cost-effective and higher quality products to our customers resulting in the sale of 70,000 compressors annually in a sustainable, reliable, and efficient manner.

PERFORMANCE

MODEL	POWER		FLOW (CFM/ M3/M)						SOUND dbA
	HP	kW	30 psi	2 bar	36 psi	2.5 bar	45 psi	3.1 bar	
KRSL-30	30	22	279	7.90	275	7.79	271	7.67	71
KRSL-60	60	37	523	14.80	515	14.58	507	14.37	72
KRSL-100	100	75	1025	29.03	1010	28.60	995	28.18	74
KRSL-200	200	100	2050	58.06	2020	57.20	1990	56.36	76

PACKAGE DIMENSIONS & WEIGHT

MODEL	WEIGHT		DIMENSIONS (LxWxH)		OUTLET
	lbs	kgs	in	mm	
KRSL-30	2271	1031	71x46x54	1803x1168x1372	2" NPT-M
KRSL-60	3975	1805	90x53x64	2286x1346x1626	ANSI 2.5" Flange
KRSL-100	7715	3503	113x69x81	2870x1753x2057	ANSI 5" Flange
KRSL-200	13051	5925	157x81x88	3988x2057x2235	ANSI 6" Flange

Performance test based on ISO 1217.



info@KaishanUSA.com
 15445 Industrial Park Dr · Loxley, AL 36551 USA
 +1 251.257.0773
KaishanUSA.com